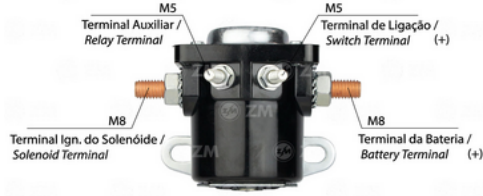
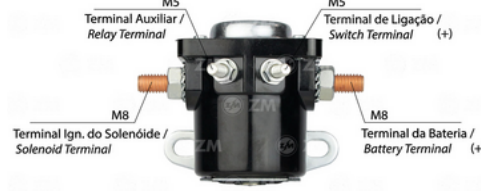
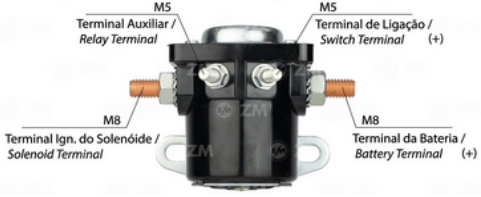


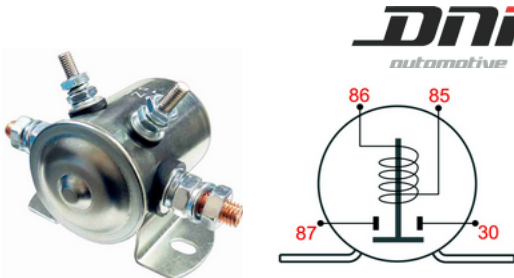
IMPORTADORA ISIS

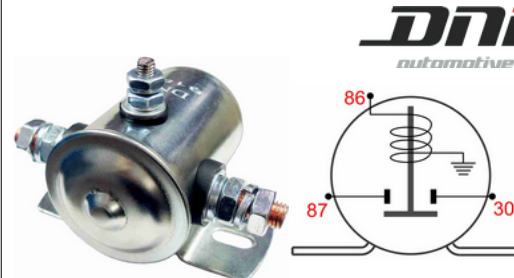
SOLENOIDES TIPO FORD

ZM 401	12V
	
<p>FORD LINCOLN / MERCURY/ UNIVERSAL</p> <p>FORD: B6AZ-11450-A</p>	

CNZM 401	12V
	
<p>FORD LINCOLN / MERCURY/ UNIVERSAL</p> <p>FORD: B6AZ-11450-A</p>	

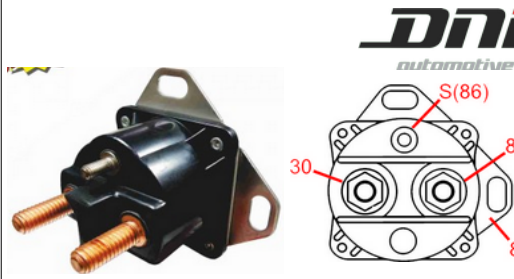
ZM 2401	24V
	
<p>SOLENOIDE UNIVERSAL FORD</p>	

DNI8189	12V 100A
	
<p>RELE AUXILIAR DE USO CONTINUO</p> <p>FORD:</p>	

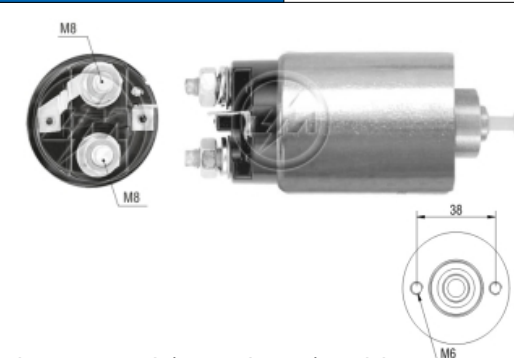
DNI8180	24V 100A
	
<p>RELE AUXILIAR DE USO CONTINUO</p> <p>FORD:</p>	

SS66202	12V
	
<p>SOLENOIDE FORD 4 TERMINALES</p> <p>FORD: E5AZ-11450-A/ SW1533/ 231930/ 66-202</p>	

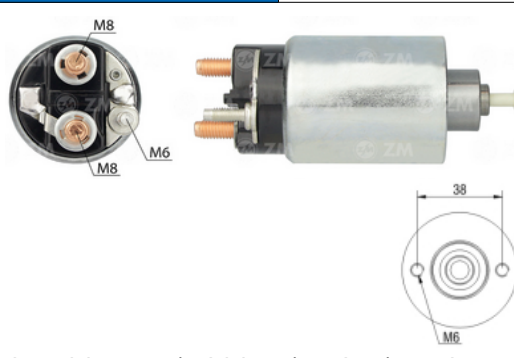
SS66203	12V
	
<p>SOLENOIDE FORD 3 TERMINALES</p> <p>FORD: E5TZ-11450-A/ SW1951/ 231930/ 66-203</p>	

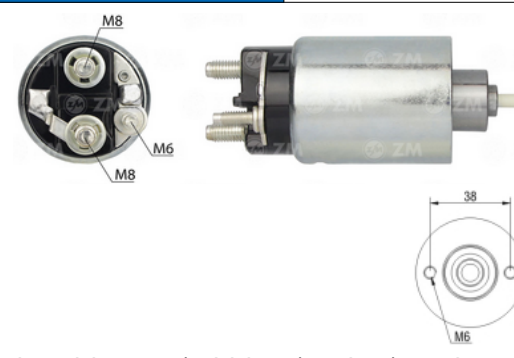
DNI8188	12V
	
<p>SOLENOIDE FORD 3 TERMINALES</p> <p>FORD: E5TZ-11450-A/ SW1951/ 231930/ 66-203</p>	

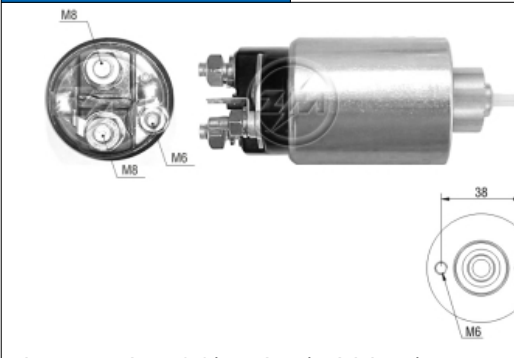
ZM 760	12V
	
<p>FORD TAURUS / WINDSTAR / LINCOLN MERCURY SABLE</p> <p>FORD: E90Z-11390-B</p>	

ZM 1760	12V
	
<p>FORD TAURUS / WINDSTAR / LINCOLN MERCURY SABLE</p> <p>FORD: E90Z-11390-A</p>	

ZM 4760	12V
	
<p>FORD EXPLORER / AEROSTAR / RANGER 4.0</p> <p>FORD: F77U-11000-AA</p>	

ZM 761	12V
	
<p>FORD COURIER / ESCORT / FIESTA/ RANGER TAURUS / JA GUAR X-TYPE / MAZDA B</p> <p>FORD: F3RZ-11390-A</p>	

ZM 1761	12V
	
<p>FORD COURIER / ESCORT / FIESTA/ RANGER TAURUS / JA GUAR X-TYPE / MAZDA B</p> <p>FORD: F3RZ-11390-A</p>	

CNZM 8761	12V
	
<p>FORD RANGER 2.3/ FIESTA/ ESCORT/ COURIER/ MAZDA SERIE B</p> <p>FORD:</p>	

IMPORTADORA ISIS

SOLENOIDES TIPO FORD

ZM 762	12V
<p>FORD CROWN VICTORIA / E / EXPEDITION / F LINCOLN NAVIGATOR / MERCURY COUGAR FORD: F6VZ-11390-AA</p>	

CNZM 8762	12V
<p>FORD F SERIES /EXPEDITION FORD:</p>	

ZM 766	12V
<p>FORD E / F / 450 / 550 / 650 / 750 6.0L / 7.3L FORD: XG-11390-908813</p>	

ZM 769	12V
<p>FORD RANGER 2.5D 3.0D / MAZDA B / BT50 / FORD: F8RU-11000-AA</p>	

<p>Empty technical drawing area.</p>	

<p>Empty technical drawing area.</p>	

<p>Empty technical drawing area.</p>	

<p>Empty technical drawing area.</p>	

<p>Empty technical drawing area.</p>	

<p>Empty technical drawing area.</p>	

<p>Empty technical drawing area.</p>	

<p>Empty technical drawing area.</p>	

<p>Empty technical drawing area.</p>	

<p>Empty technical drawing area.</p>	